



RASGULLA & GULAAB JAMAN MAKING MACHINE

Sweet Ball Making Machine
Base Model - RG 1



RG 1
RASGULLA AND GULAAB JAMAN
ROUNDER MACHINE - BASE MODEL

- High Tech Machine Designed for Rounding Rasgulla and Gulaab Jaman i.e Sweet balls
- Extraordinary design reduces the footprint of the machine and improves comfort
- Large capacity hopper for containing bulk material all at once for processing
- Easily removable hopper for cleaning.
- Extremely easy to clean thanks to the perfect flatness of the support product plan made on AISI 304 stainless steel 2 mm thick
- Automatic cleaning of the conveyor through scrapers
- Adjustable and Variable sized hopper outlets for catering a large number of sizes of sweet balls
- Practical and intuitive control panel for speed controlling all the functionalities of the machine
- Replaceable cutters for long term use
- Adjustable conveyor for guidance
- Dedicated programme for rounding of sweet balls precisely
- Dedicated programme for cutting sweet balls of all sizes
- Adjustable conveyor height for precise rounding
- Additional Flattener given on conveyor to flatter sweet balls if required
- Rotating collection dishes at the end for easy collection of the product
- Fuse and emergency switch given for safety
- 1-year warranty of all components



HOPPER



ROUNDER



CUTTER



COLLECTING DISH

PRODUCT CATALOG



SIDE VIEW



DOUGH CUTTER



CONTROL PANNEL



COLLECTING DISH



FRONT VIEW



HOPPER



REAR VIEW



DOUGH ROUNDER



SIDE VIEW



DIMMER 1: (CONVEYOR)

This dimmer is responsible for the regulation of the speed of the conveyor. This dimmer should be set to 100% speed.

DIMMER 2: (WORM)

This dimmer is responsible for the regulation of the speed of the worm. This dimmer is set according to your size needs. By increasing its speed, the size of the product also increases and vice versa.

DIMMER 3: (ROUNDER)

This Dimmer is responsible for the regulation of the speed of the dough rounder. It should be set at a speed where it rounds your required size of dough piece precisely. By increasing and decreasing its speed you can calibrate it to your required size.

DIMMER 4: (CUTTER)

This Dimmer is responsible for the regulation of the speed of the cutter. It should be set at a speed where it cuts at least one piece per second. By increasing its speed, the size of the product also decreases and vice versa.

DIMMER 5: (DISH)

This Dimmer is responsible for the regulation of the speed of Collection Dish that collects the Gulaab Jaman and Rasgulla.



CONTROL PANNEL



HOPPER

INSTALLATION OF HOPPER

Fix the hopper on top of the machine where four bolts are placed and fix the butterfly nuts onto the bolts for fixing of the hopper

INSTALLATION OF WORM

Insert the worm in Hopper and rotate it clockwise to lock it.

INSTALLATION OF BUSH

Insert the compatible bush of your requirement from the accessory box into the hopper's pipe and rotate the Bush Clockwise to tighten it and lock it.

ROUNDING CAPABILITIES

Sweet Ball Making Machine is a model with diverse and very useful capabilities. One of its main features is its Rounding capabilities. It can round all kinds of Rasgulla and Gulaab Jaman Dough with ease and excellence. This diverse range makes this machine unique and trustworthy and adds more value to this product. All you are required to do is to put your mixture, into the hopper of the machine and the machine will take care of the rest and provide you with well-rounded and Divided Balls of Dough you require.



DOUGH ROUNDER



COLLECTION DISH

INSTALLATION OF COLLECTING DISH

Place the collecting dish stand in the motor shaft that is present in front of the conveyor and fixed on the machine's stand. Rotate and screw the collecting dish stand until its tightly fixed on the stand. Now place the collecting dish on the stand and you're good to go.

Product Details

Model: RG 1

Motors: DC Motors

Power Input: 220 Volts

HS- Code: 8438.3030

Net Weight: 80 kg

Packing For Shipping: 62 x 26 x 28 inches , 20 kg

Gross Weight: 100 kg

A: 33 inches

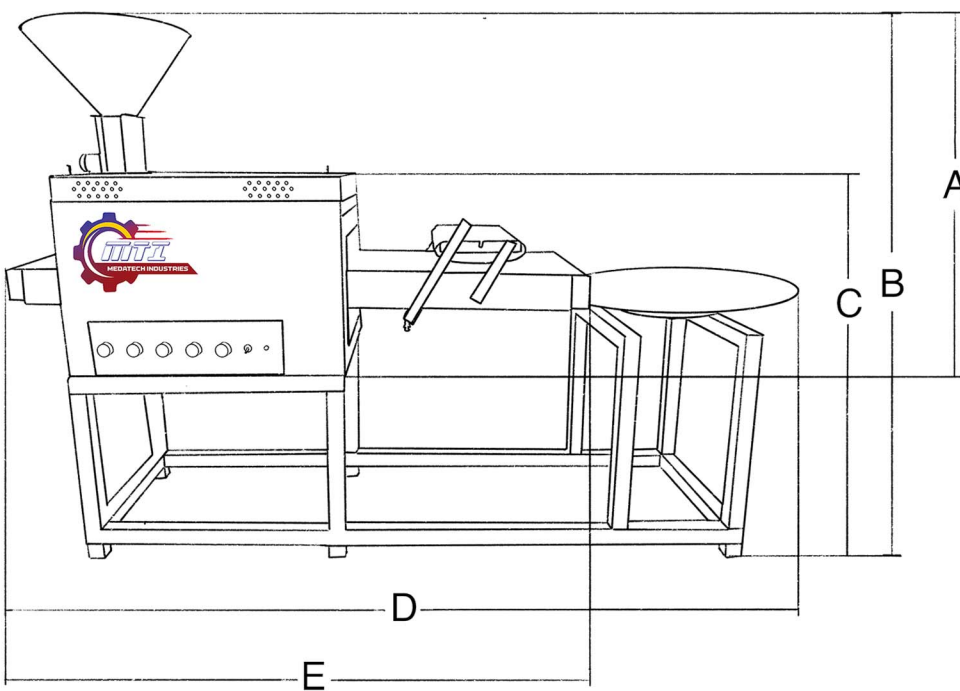
B: 48 inches

C: 34 inches

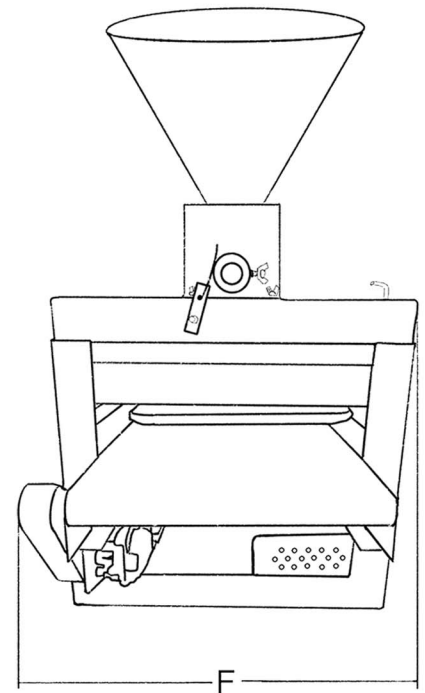
D: 60 inches

E: 52 inches

F: 18 inches



MEASUREMENTS - SIDE VIEW



MEASUREMENTS - REAR VIEW

For more information

www.medatechindustries.com

admin@medatechindustries.com

Contact Us

+92 301 865 0700

+92 300 765 0714